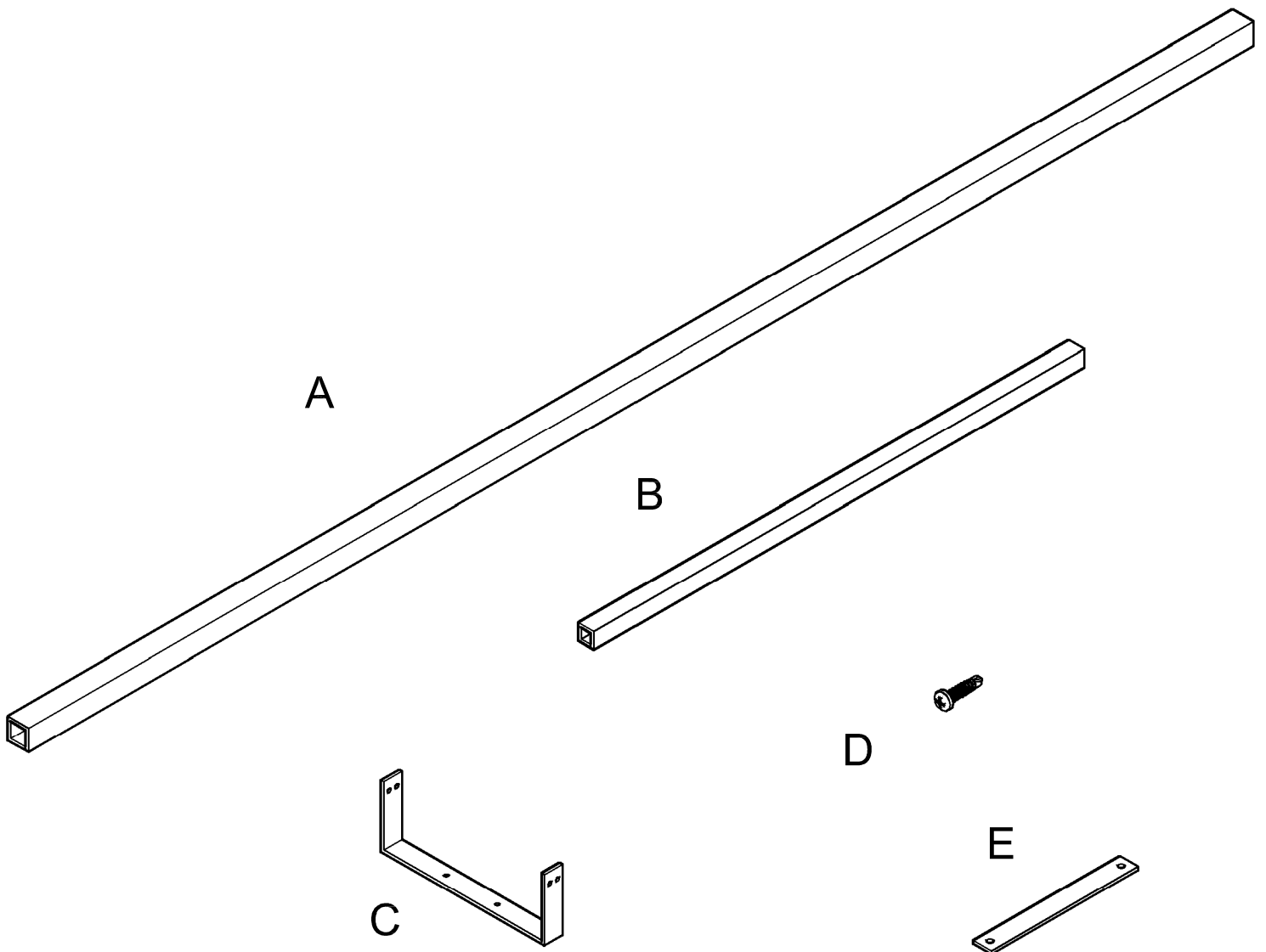
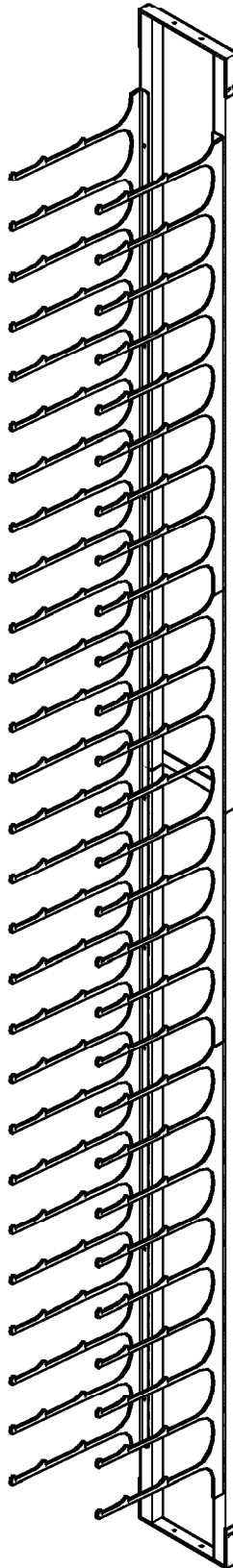


PARTS LIST

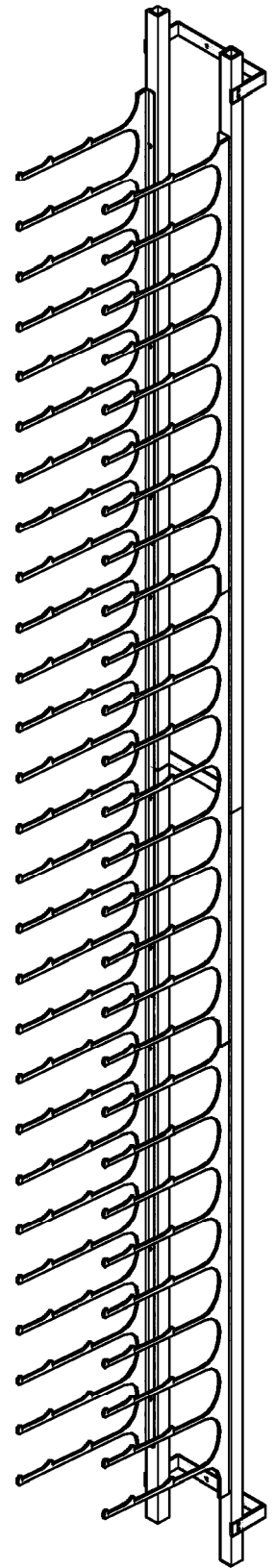
#	QTY	DESCRIPTION
A	4	1" X 1" BRACKET- 60"
B	2	3/4" X 3/4" BRACKET- 24"
C	2	ANGLED BAR
D	18	SELF TAPPING SCREWS
E	1	FCF CONNECTOR



REVUEVINO
FLOOR TO CEILING
BRACKET ASSEMBLY
MANUAL



FLOOR TO CEILING



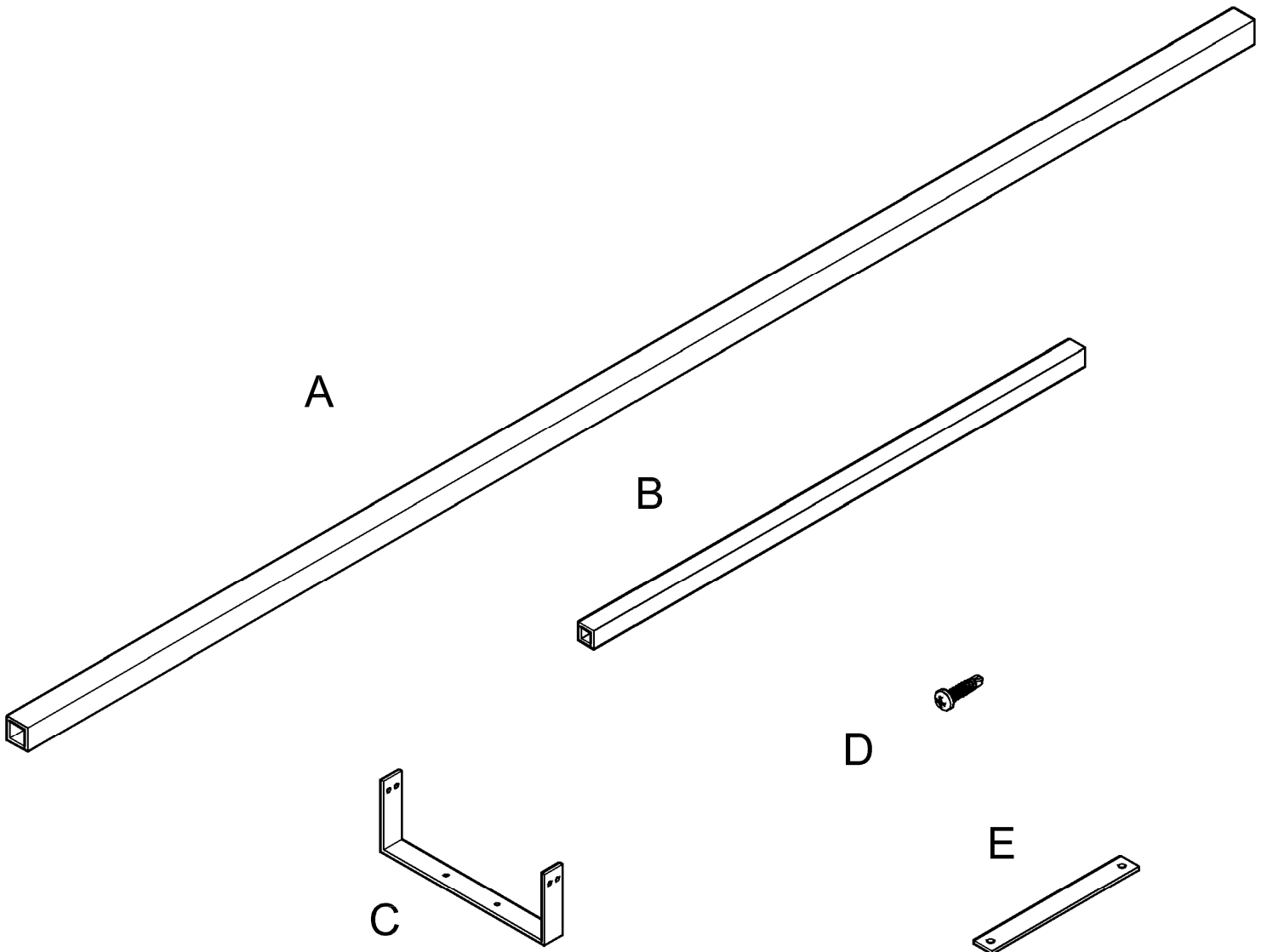
AGAINST THE WALL

Wine Rack Concepts
1630 Sherman Avenue
Cincinnati, OH 45212

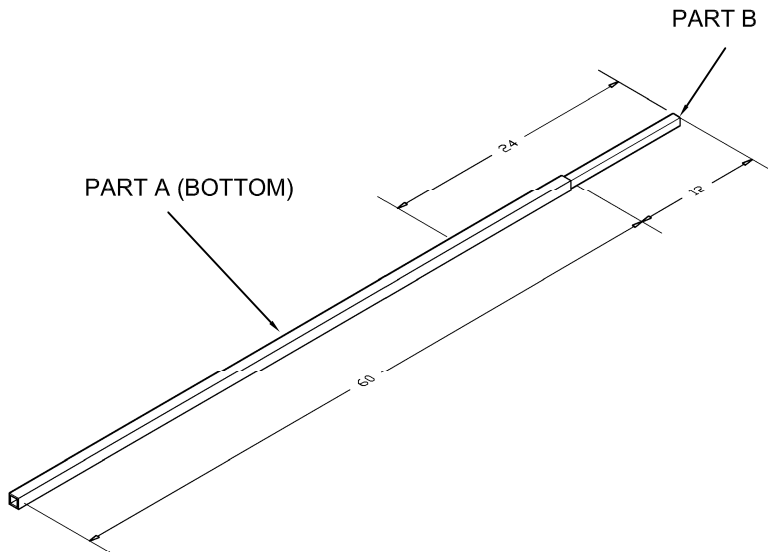
513-644-5300
contactus@winerackconcepts.com
www.winerackconcepts.com

PARTS LIST

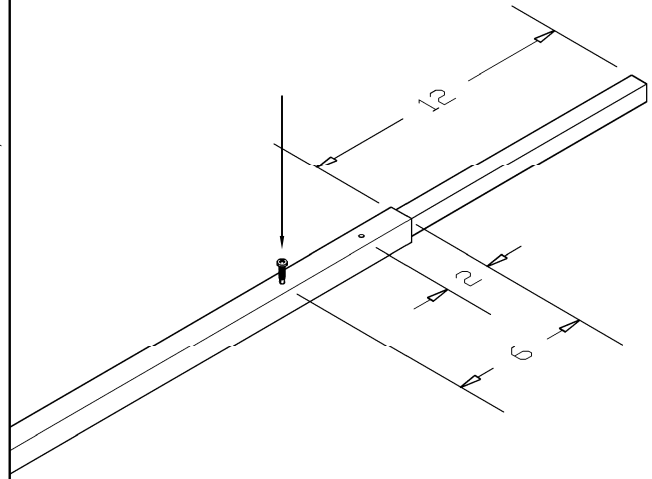
#	QTY	DESCRIPTION
A	4	1" X 1" BRACKET- 60"
B	2	3/4" X 3/4" BRACKET- 24"
C	2	ANGLED BAR
D	18	SELF TAPPING SCREWS
E	1	FCF CONNECTOR



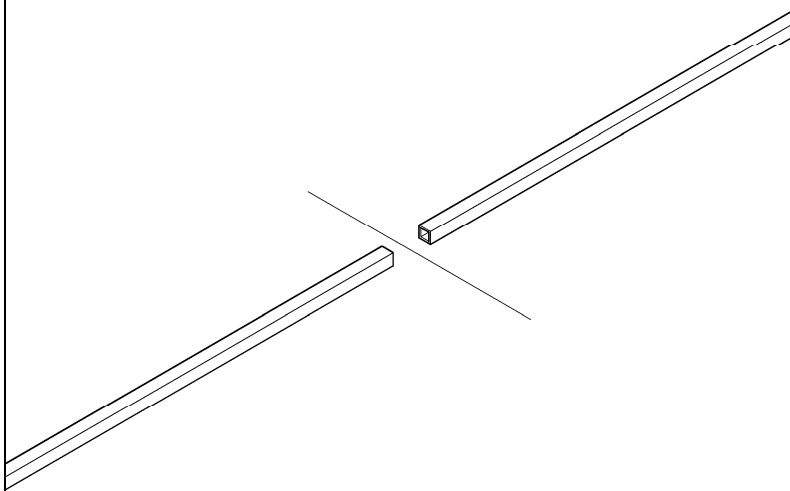
1. PREPARE ONE 60" AND A 24" BRACKET. INSERT THE 24" HALFWAY THRU. THE EXTENDED PART SHOULD MEASURE 12". THE 60" BRACKET WILL ACT AS THE BOTTOM.



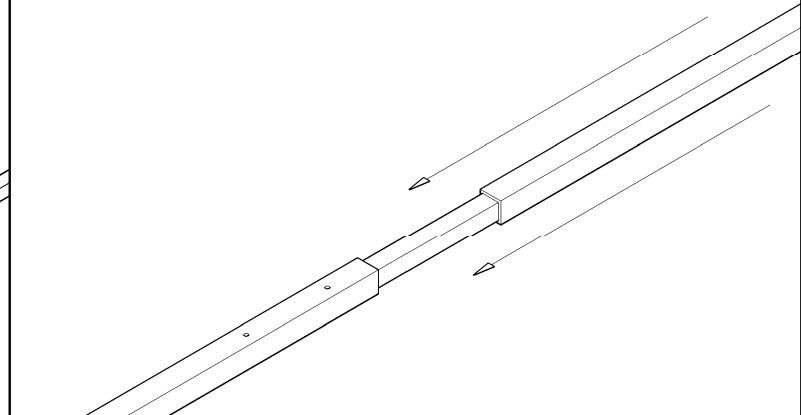
2. LOCATE THESE DIMENSIONS AND DRILL THE SELF TAPPING SCREWS.



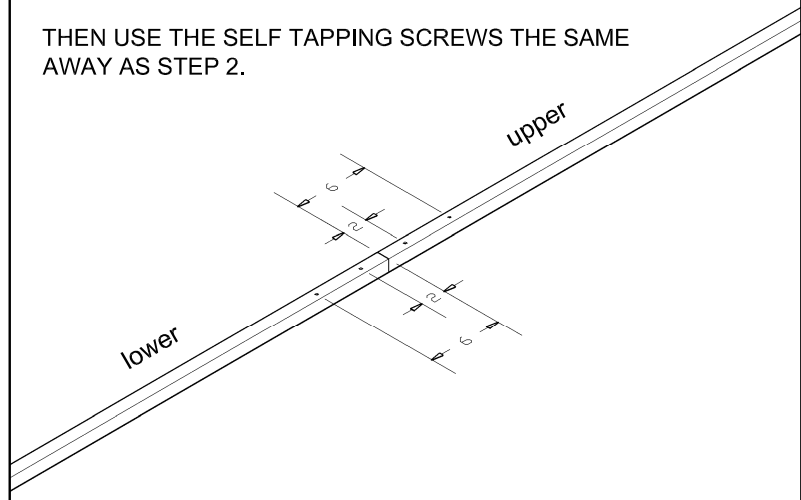
3. BEFORE CONNECTING THE OTHER END OF THE BRACKET, MAKE SURE TO GET THE EXACT CEILING HEIGHT ON WHERE TO BE INSTALLED. THEN CUT THE UPPER BRACKET TO THE DESIRED LENGTH.



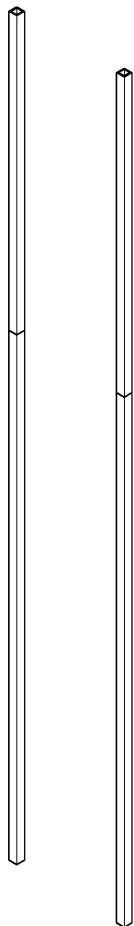
4. THEN INSERT THE UPPER BRACKET TO THE LOWER BRACKET.



THEN USE THE SELF TAPPING SCREWS THE SAME AWAY AS STEP 2.

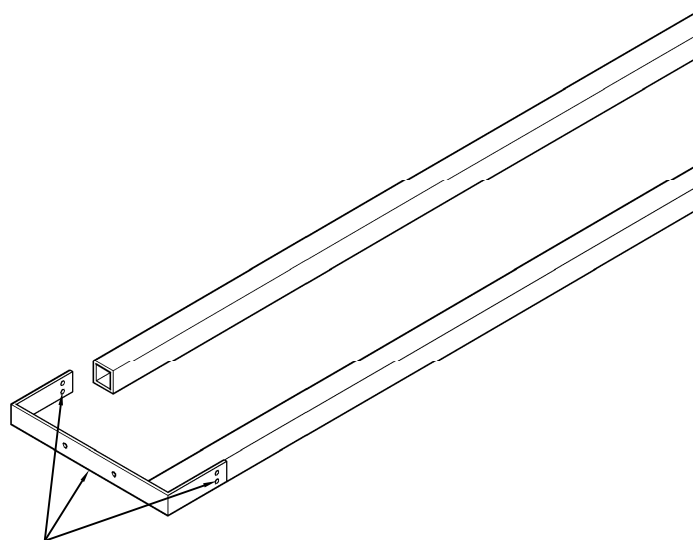


5. REPEAT STEPS 1 TO 4 FOR THE SECOND SETS OF BRACKETS.



NOTE
SCREW HEAD MUST FACE AT THE BACK

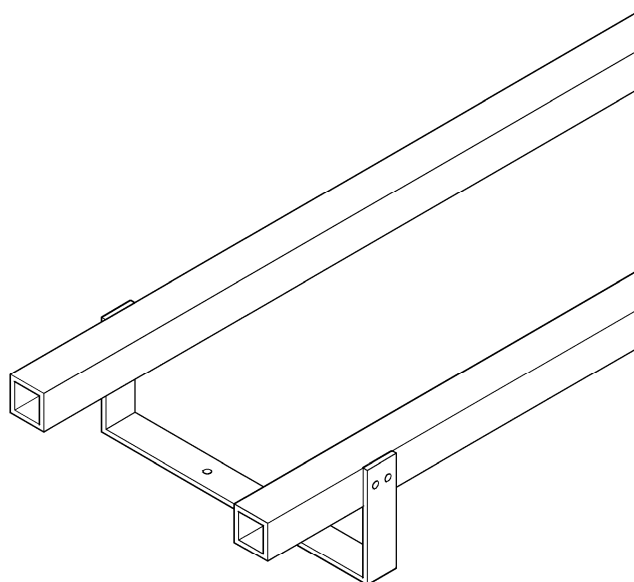
6. IF USED FOR FLOOR TO CEILING, ATTACH THE ANGLED BRACKETS ON BOTH BOTTOM AND TOP. HOLES FOR SCREWS ALREADY PROVIDED. IF BRACKETS TO BE INSTALLED AGAINST THE WALL, PROCEED TO THE NEXT STEPS.



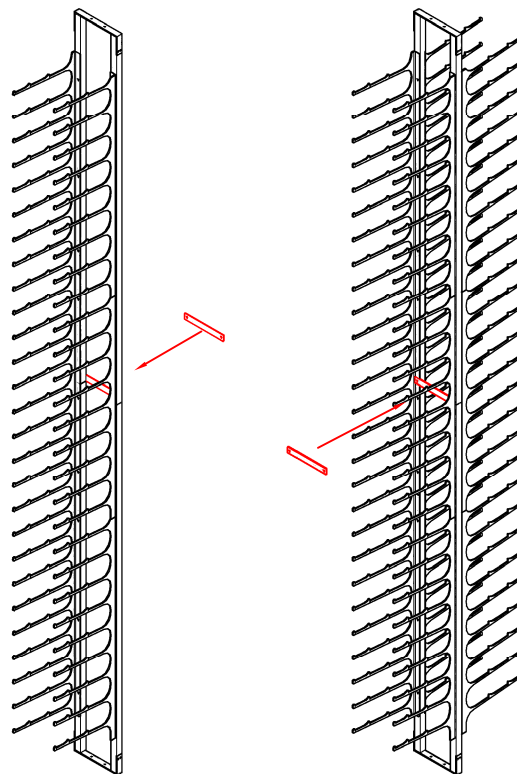
GUIDE HOLES

THEN REPEAT ABOVE THE UPPER ANGLED BAR.

7. DO THIS STEP ONLY IF THE BRACKETS ARE INSTALLED AGAINST THE WALL, ELSE PROCEED TO THE NEXT STEP.



8. ATTACH THE FCF-CONNECTOR.
If single sided, install it on the backside near the middle.
If double sided, install it on the inside of the racks near the middle after the revue racks are installed.



9. SECURE THE RACKS TO THE FLOOR/CEILING OR TO THE WALL DEPENDING ON WHERE IT WILL BE INSTALLED.

